

μ Coater

1 Compact !

Dryer Unit and Unwinder & Rewinder units included!

Optional UV curing system

2 Test Coating is Easy!

3 Utilizes patented— *Micro Gravure*[®] Technique!

Coating is possible through a wide range—of coating thicknesses From only 1 μ m wet to up to 40+ μ m wet coatings.

Exchanging coating rolls is easy.

The rolls are so slender they won't take up—storage space.



4 Maximum coating width is 300mm!

Electronic Components /
Secondary Battery Applications

- Photoresist/Photomask
- Silicon Release
- Touchscreen under/top coating
- Lithium Battery top coat
- Battery separator
- Solar Battery related

Optical Applications

- Antireflective/ AR Film
- LCD backlight film

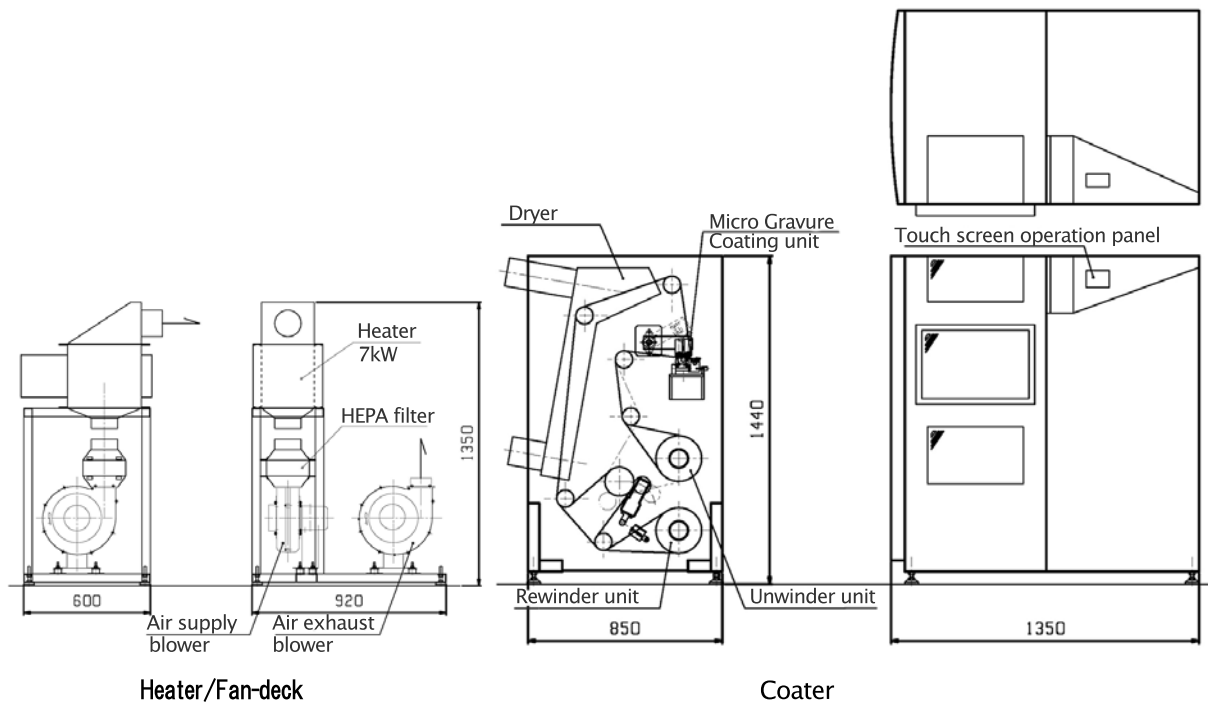
Others

- When you demand Thin Film
- Less Expensive than Sputter coating

Specification

| | | |
|---------------------|--------------------------------|---|
| Factory-requirement | Power supply | 3phase 200-230V 50(60)Hz |
| | Capacitance | 50A |
| | Dryer air | Supply air Volume 3.6m ³ /min, Exhaust air Volume 3.6m ³ /min |
| Specification | Compressed air | 0.5MPa 6l/min |
| | Line speed | 0.5~5.0m/min |
| | MG Rotational speed | MAX160rpm |
| | Driving system | MicroGravure/Feed:AC servo moter , Rewinder:Gear moter |
| | Substrate | PVC, PP, PET, Copper foil,etc... |
| | Tension | MAX50N/total width |
| | Coating width | MAX300mm |
| | Substrate width | MAX320mm |
| | Core width | MIN150~MAX350mm |
| | Core diameter | 3inches(75~78mm) |
| | Core fixing method | Air capsule fixing method |
| | Unwinder diameter | φ 200mm Subtrate weight10kg or less |
| | Rewinder diameter | φ 200mm Subtrate weight10kg or less |
| | Dryer | Hot air temperature : 80°C: Wind velocity1m/sec (Setting MAX130°C is available.) Heater capacity: 7kW Dryer length : 1m |
| | UV curing system (optional) | effective irradiation width of lamp 200mm Wattage of lamp 120W/cm |
| Total weight | Coater1000kg, fan-deck150kg | |
| Painting color | Glossy black(N1:Munsell value) | |

Outside Dimension



MIRWEC Film, Inc. & Yasui Seiki Co., (USA)

601 S Liberty Drive, Bloomington, IN 47403

Machine Sales Inquiry; coating@mirwecfilm.com